

KADECO®



DESIGNER AWNING 310

The designer awning impresses with its clear lines and distinctive design that harmonises seamlessly with modern architecture. This unique style was awarded the R+T Innovation Award for Design.

VISUAL HIGHLIGHTS:

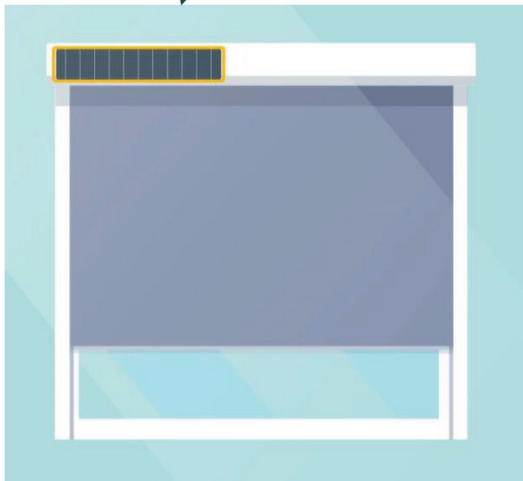
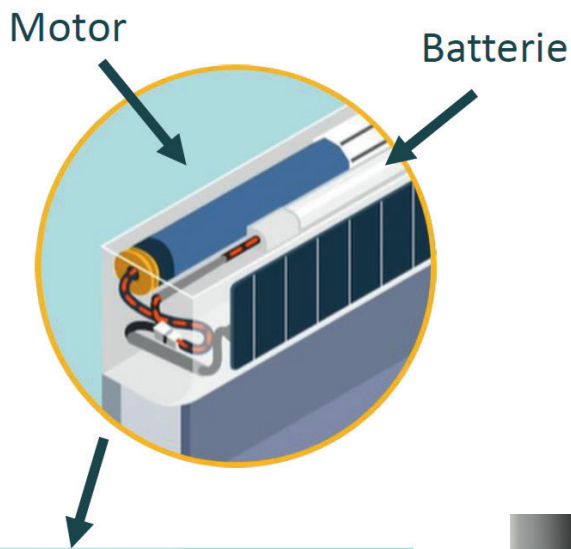
- Modern, screwless look
- Stylishly concealed fastening points
- Aesthetically even surface of the cassette

FACTS AND FIGURES:

- Max. width 5.000 mm
- Max. projection 3.000 mm
- Inclination angle adjustable from 5 to 20 degrees using a screw

TECHNICAL FEATURES:

- Atmospheric lighting thanks to continuous LED light strip on the awning cassette
- Easy installation: by attaching the awning to prepared fastening points



WINDOW AWNINGS WITH SOLAR PANEL

The new battery drive solutions for KADCO window awnings are charged using a solar panel.

ADVANTAGES:

- No power connection required
- Control via somfy io remote control
- Nearly all window awning models can be equipped with the new solar drive

INTEGRATION OF THE BATTERY:

- Battery integrated in cassette (model 835)
- Battery integrated in the new, wider side guide

AVAILABLE FOR WINDOW AWNINGS:

- With ZIP guide
- Without ZIP guide



KADECO®

INNOVATIONS IN INSECT PROTECTION

The KADECO insect screen system offers sophisticated solutions for almost every area of application. From insect screen roller blinds and pleated insect screen doors to sturdy light well covers. The mesh used always impresses with the highest quality and durability.

NEW TENSIONED INSECT SCREEN FRAME:

- Even flatter frame
- Low installation depth of only 10 mm

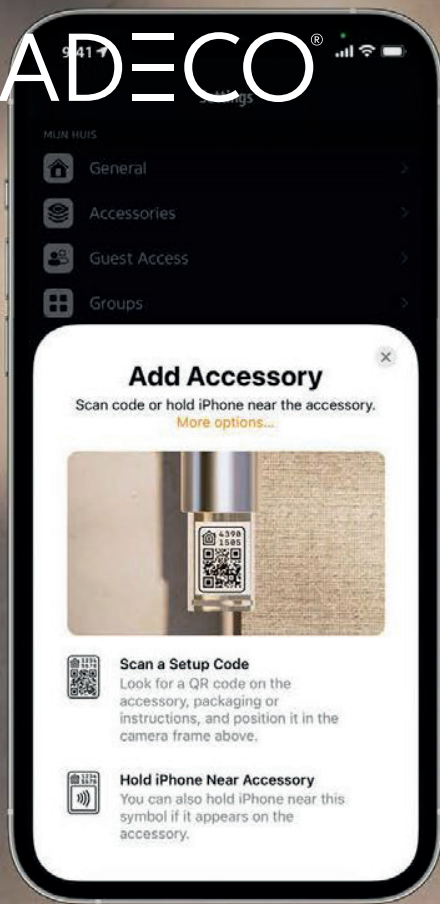
NEW PLEATED INSECT SCREEN DOOR:

- Now with integrated mounting frame
- Stack and counter rail can be clicked in
Reduced installation effort

MORE STANDARD COLOURS:

- Wide range of colours with some new shades:
 - Traffic white matt RAL 9016
 - Silver E6/EV1 anodised
 - Anthracite grey matt RAL 7016
 - Fine structure DB 703
 - Dark brown matt RAL 8077
 - Ochre brown matt RAL 8001
 - Sepia brown matt RAL 8014

KADECO®



UPDATE IN THE MOTIONBLINDS MOTOR RANGE

The MotionBlinds motor range offers convenient motorisation options for interior sun protection. Thanks to advanced technologies, the privacy and sun protection products can be intelligently integrated into the smart home and useful functions, automations and timers can be created.

MATTER - NEW TECHNICAL HIGHLIGHT:

- Eve MotionBlinds motors now communicate with Matter
- Matter is the future cross-product standard for connecting smart home systems
- Existing Eve motors can also receive a Matter update
- The only system on the market with Matter integration in the motor

ADVANTAGES:

- Direct Matter integration without gateway
- Various smart home systems link and communicate with one control centre
- Matter is the "super standard" of the future

NEW: MOTORISATION NOW ALSO FOR 50 MM VENETIAN BLINDS:

- 230 V tubular motor in different versions: LITIO XL, WIRELESS, WIRED
- Suitable for aluminium and wooden venetian blinds
- Possible with ladder cord and ladder tape
- Introduction from mid-2024



MORE INFORMATION



#weloveourplanet

The interplay of design, quality and sustainability is one central theme flowing through KADECO's collections. Through recycling and upcycling processes or the use of alternative resources, sustainable fabrics and weaves with highly functional product properties such as flame resistancy (B1/M1) are created.

ADVANTAGES:

- Responsible use of resources
- Energy, CO₂ and water savings during production
- Functional properties such as flame resistance (B1/M1)
- Partially certified according to OEKO-TEX® STANDARD 100
- Numerous materials free from PVC, formaldehyde, halogen and lead

OUTDOOR SUN PROTECTION:

- Polyester fabrics made from 85% recycled PET bottles
- Water and dirt repellent
- Suitable for heavy-duty use and large areas

INDOOR SUN PROTECTION:

- Fabrics made from recycled raw and residual materials such as post-consumer PET
- Screen fabrics made from organic polyester, produced from fruit sugar
- Fabrics made from recycled marine plastic from the Seaqual Initiative
- Large selection across all products (vertical blinds, pleated and honeycomb pleated blinds, panel blinds, roller blinds and many more)

KADECO®



PERGOLA SYSTEM (Models 645, 646, 648)

This is outdoor living! The pergola awning product line impresses with technically sophisticated variants and new lighting options - for more outdoor adventure at any time.

MODELS 64X

- High wind stability (WWK 2 according to DIN EN 13561)
- Closed fabric guide in side rail

MODEL 645: SUN PROTECTION

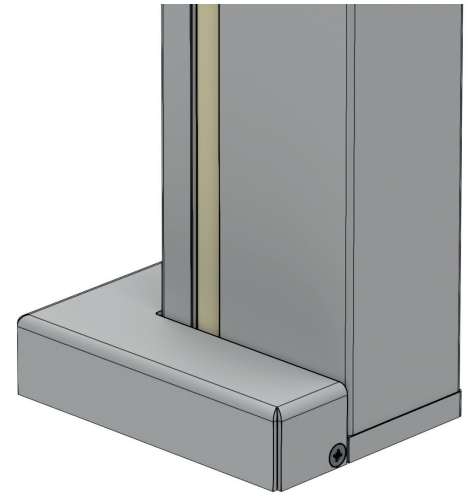
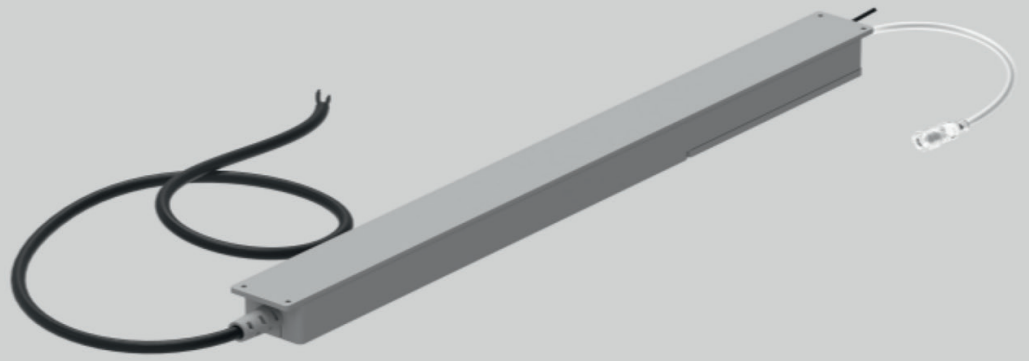
- Elegant appearance

MODEL 646: Sun and Rain Protection

- Water-repellent awning fabric
- Integrated rain gutter

MODEL 648: SUN AND GLARE PROTECTION

- Integrated ZIP vertical awning



NEW LIGHTING SYSTEM FOR PERGO-LAS 645-648 and Model 545

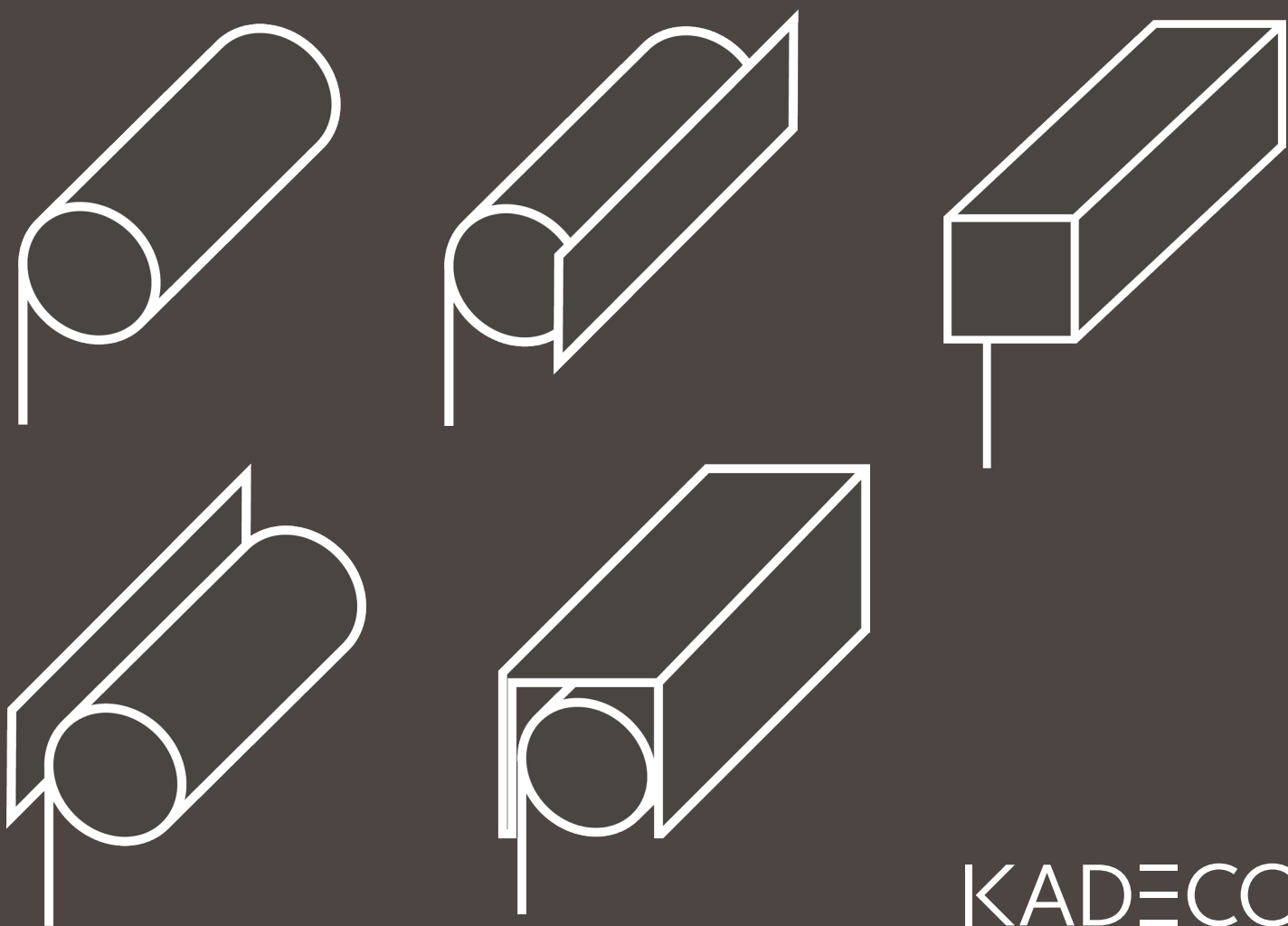
The new LED lighting options will be available in numerous configuration options for the pergola system and offer a wide range of benefits:

ADVANTAGES:

- Newly developed LED light strip
- No irritating light points
- Pleasant, warm white light colour, 3000 Kelvin
- Light can be dimmed nearly infinitely (depending on the hand-held transmitter)

TECHNOLOGY:

- Power supply and control via brand new somfy receiver unit with iO remote
- Numerous configuration options
- Stylishly integrated into awning components (e.g. in crossbars or posts)



KADECO®

NEWS IN THE ROLLER BLIND RANGE

The KADECO roller blind range has been revised and presents itself with new models, useful features and optimised technical details.

NEW CASSETTE ROLLER BLINDS

TECHNOLOGY:

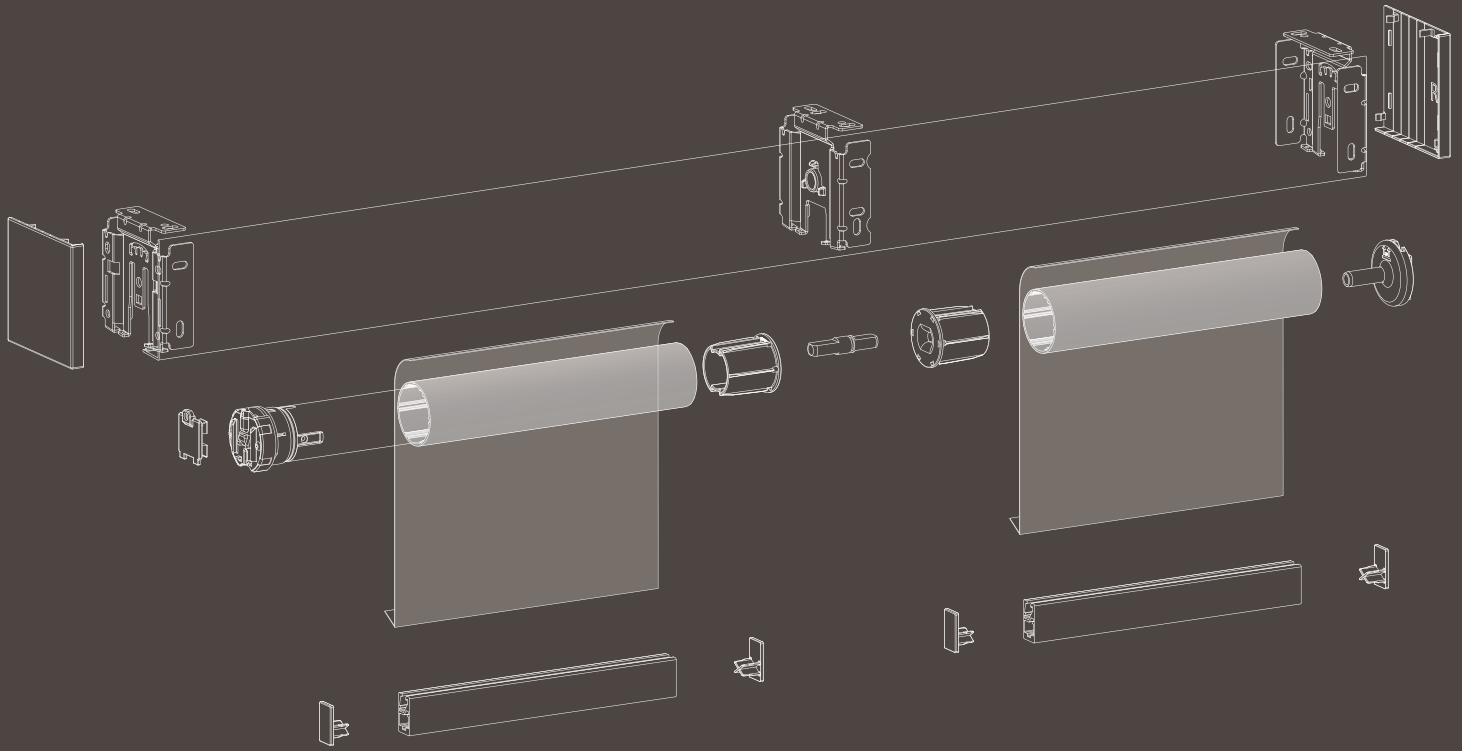
- New gear with 1:1 ratio
- Two sizes and two models available

MOTORISATION:

- All models can be motorised
- MOTIONBLINDS motorisation seamlessly integrated into side panels
- Easy charging of the battery motor without opening the cassette

COLOURS AND DESIGN:

- Three colour variants available:
 - Profile white fine structure with end caps in white
 - Profile in black fine structure with end caps in black
 - Profile in anthracite fine structure with end caps in black



KADECO®

NEWS IN THE ROLLER BLIND RANGE

The KADECO roller blind range has been revised and presents itself with new models, useful features and optimised technical details.

NEW MODELS

OPEN ROLLER BLIND WITH COVERING:

- Continuous covering at the front
- In three colour variants: white fine structure, black fine structure, anthracite fine structure
- Also ideal for commercial buildings

OPEN DESIGN ROLLER BLIND:

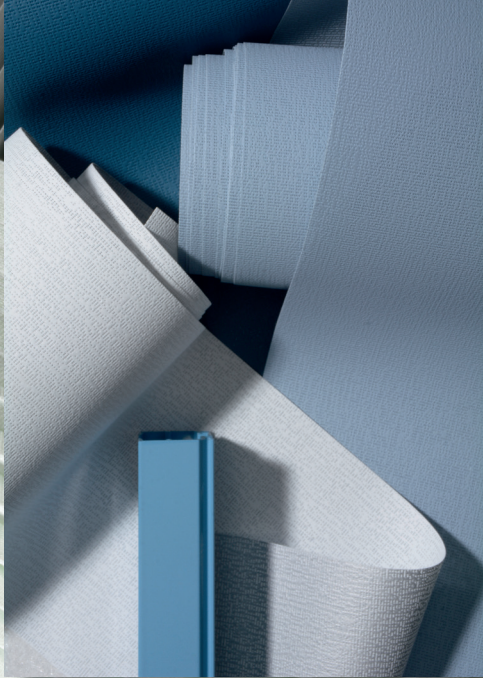
- Minimalist Design
- Metal supports without plastic parts - can also be realised in special RAL colours
- Several options for coupling and row operation
- Also ideal for commercial buildings

DESIGN CASSETTE:

- Small, angular cassette
- Flat, matt surface in white, black, anthracite or anodised (E6/EV1)
- With freely selectable coloured accents in white, black, grey, red or green

STANDARD INSTALLATION PROFILE:

- Simple U-profile
- Flush installation
- With chain pull or motorised
- Centre panels possible



NEWS FROM THE KADECO *Atelier*

Of course, we don't want to withhold our latest creations from the KADECO Atelier from you at the trade fair. The first impressions of the new pleated blind collection, which we design with great attention to detail, are particularly exciting. You can get an exclusive first glimpse at our trade fair stand.

THEMED WORLDS OF HONEYCOMB

PLEATED BLINDS:

- **MIDNIGHT BLOSSOM** embodies a calming atmosphere with its elegant shades of blue and has a harmonising effect
- **BOTANICAL** symbolises the balance of deceleration and vitality thanks to unobtrusive shades of green
- **DARK ELEGANCE** radiates a modern yet warm coolness, emphasising clear structures
- **MODERN SOFTNESS** impresses with monochrome restraint and conveys contentment
- **URBAN SAVANNA** is inspired by the multifaceted colour spectrum of nature with various shades of red and brown

THEMED WORLDS OF SLATS:

- **GOLDEN GARDEN** conveys a harmonious connection to nature and encompasses a colour palette ranging from khaki to olive and brown
- **FOREVER CLASSIC** is the epitome of timeless elegance and ensures lightness and harmony with beige and grey nuances
- **SILVER BLUES** impresses with a fusion of silvery grey and blue as well as smoky tones. This transforms the room into a source of calm and stability



CASSETTE AWNING 380

With its cubic design, the 380 awning sets elegant accents. The full cassette with its angular design protects the awning from the weather when retracted. Thanks to the elegant Vario valance, it also offers ideal protection from the low sun in the early evening hours.

VISUAL HIGHLIGHTS:

- Optional motorized Vario valance
- Cubic design

FACTS AND FIGURES:

- Max. width 7.000 mm
- Max. projection 4.000 mm

TECHNICAL FEATURES:

- Optional integrated LED lighting
- Motorisation included
- Simple and flexible installation
- Motorised Vario valance optional